

CABLE 030 RF: RF CABLE ASSEMBLY, HIROSE U.FL + FME BULKHEAD PLUG WITH 1.13MM CABLE - 3GHz

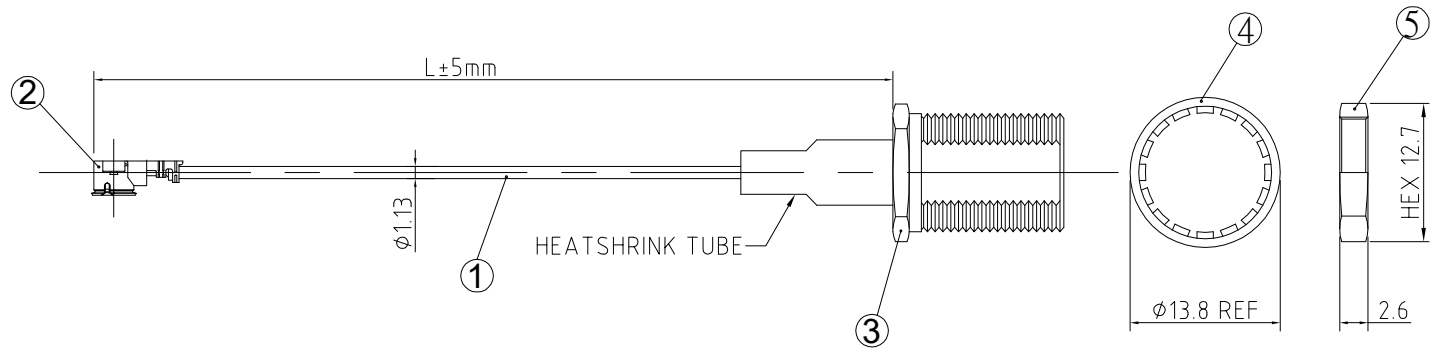
SPECIFICATIONS:

- 1.13MM COAXIAL CABLE, COLOR: GRAY
- HIROSE U.FL PLUG (U.FL-LP-068)
- FME PLUG BULKHEAD (C29CBWS178001), NICKEL
- NUT: BRASS
- WASHER: BRASS

USAGE PRECAUTIONS: CABLES USING 'MICRO' COAX ARE DELICATE:
 (i) HANDLE WITH CARE.
 (ii) DO NOT TWIST; APPLY EXCESSIVE FORCES OR SHARP BENDS TO THE CABLE. DO NOT FORCEFULLY DEFORM WIRES.
 (iii) CONSULT CONNECTOR MANUFACTURER'S DATASHEETS FOR DETAILED NOTES ON HANDLING INSTRUCTIONS.

NOTES:

1. THE ORIENTATION OF CONNECTORS ON DRAWING IS FOR REFERENCE ONLY, IF THE ORDER IS LEFT BLANK THE CONNECTOR WILL NOT HAVE FIXED ORIENTATION.
2. FIXED ORIENTATION IS SUGGESTED FOR CABLE LENGTH 50MM TO 100MM. PLEASE SPECIFY THE FIXED ORIENTATIONS FROM THE ORDER CODE (F1, F2, ETC)
3. CONTACT GRAD CONN IF THE ORIENTATION YOU REQUIRE IS NOT SHOWN.
4. ELECTRICAL WORKING FREQUENCY RANGE: DC-3GHz.
5. OPERATING TEMPERATURE: -40 TO +85°C.
6. IMPEDANCE: 50 OHM

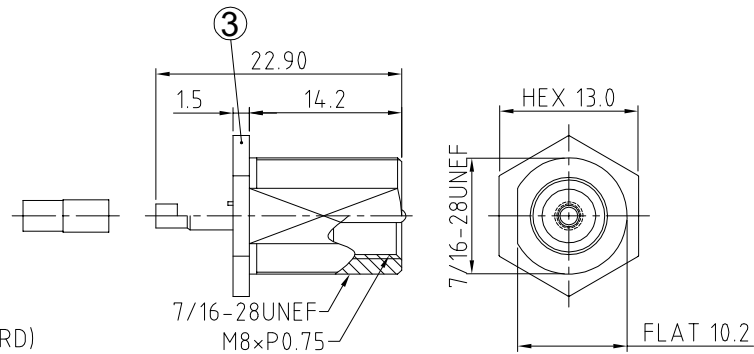


HOW TO ORDER

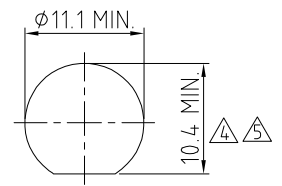
CABLE 030 RF - X X X - X

"L" LENGTH IN MM
 eg: 100MM = 100
 (MIN. 50 - MAX. 400,
 STANDARD : 100, 150, 200)

WASHER AND NUT OPTIONS:
 BLANK = SEPERATELY PACKED (STANDARD)
 A = ASSEMBLED WITH CONNECTOR



FME PLUG DETAIL DIMENSION



RECOMMENDED FME MOUNTING HOLE

REV. DATE & DRN	10 08/17/06-NYW RELEASE
11 18/02/08-NYW	ADD CABLE LENGTH OPTION
12 05/12/08-NYW	ADD FME DIMENSION
13 18/08/08-PCY	ADD WASHER AND NUT OPTIONS
14 07/07/16-AJD	ADD WORKING FREQUENCY RANGE
15 05/07/23-NYW	CORRECTED MOUNTING HOLE DIMENSION
	ADD NOTES 5 & 6

Scale: NTS	THIRD ANGLE	Unstated: X, .XX, .XXX, ANGLES	Tolerances: N/A, N/A, N/A, N/A	Material: SEE NOTE
Drawn: NYW				
App'd: XXX	Title: CABLE ASSEMBLY	NOT TO SCALE		
Date: 5 JUL '23	Revision: 15	Unit: mm		

GRADCONN
www.gradconn.com

© THIS DRAWING IS CONFIDENTIAL AND MUST NOT BE COPIED OR DISCLOSED WITHOUT WRITTEN CONSENT

Type: Cable 030 RF
CABLE 030 RF
Drawing Number:
Sheet 1 of 1
Drawing C E and O E